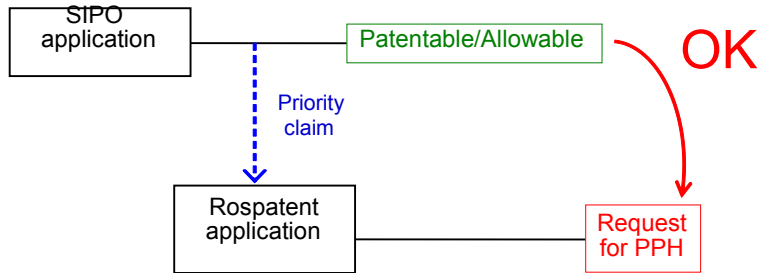


ANNEX I

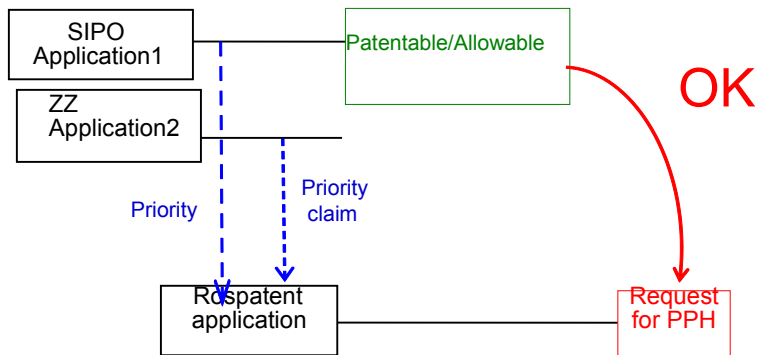
A

(Case I)
- Paris route -



B

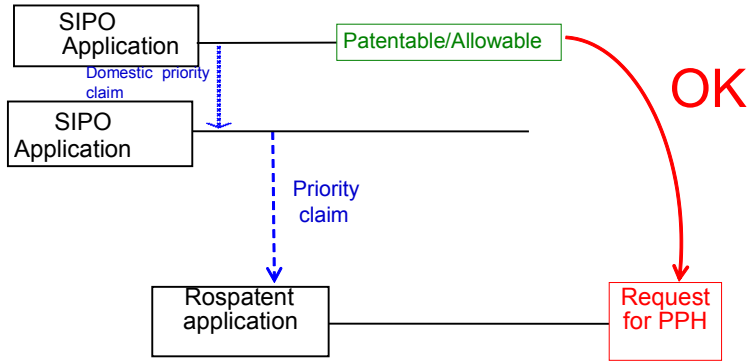
(Case I)
- Paris route & Complex priority -



ZZ: Patent Office other than SIPO

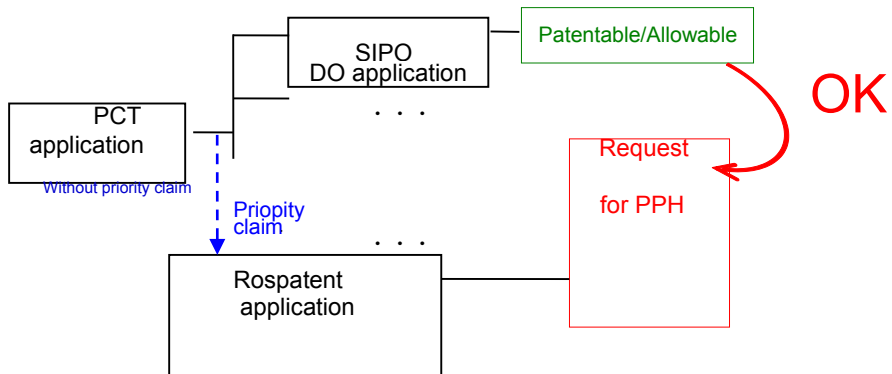
C

(Case I)
- Paris route & Domestic priority -



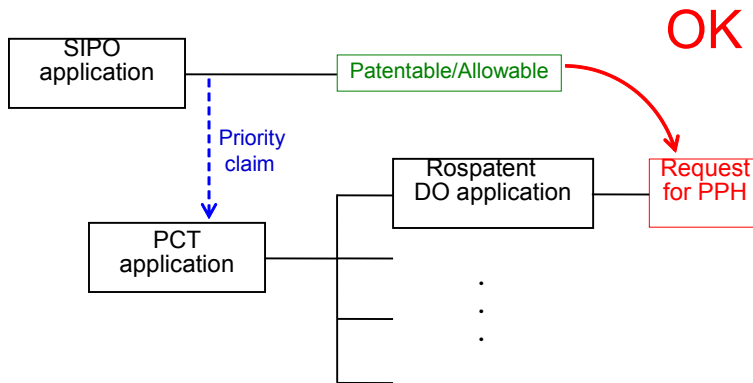
D

(Case II)
- Direct PCT route -



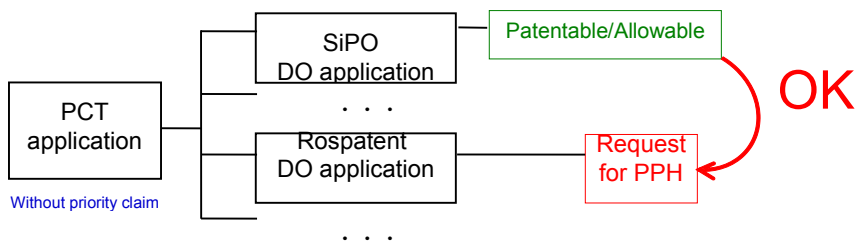
E

(Case III)
- PCT route -



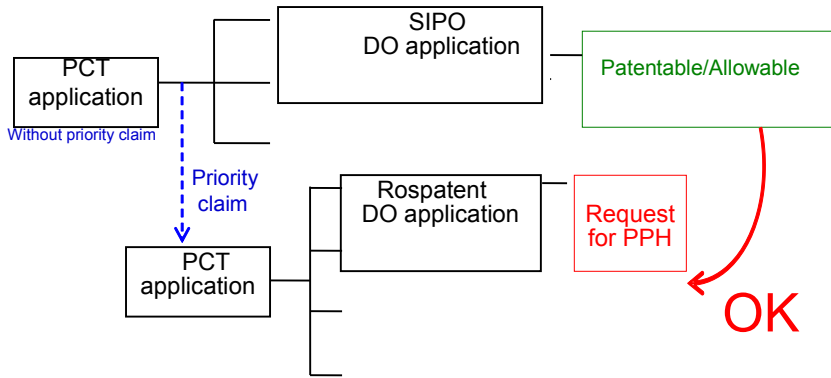
F

(Case IV)
- Direct PCT route -



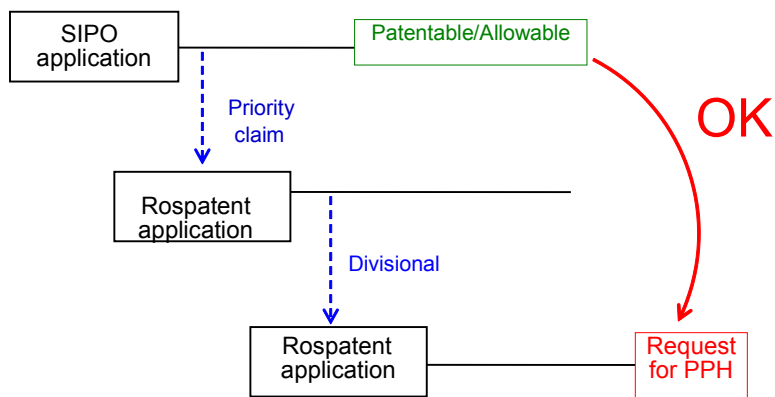
G

(Case V)
- Direct PCT & PCT route -



H

(Case VI)
- Paris route & divisional application -



I

A case not meeting requirement (d)

Examination has begun before a request for PPH

