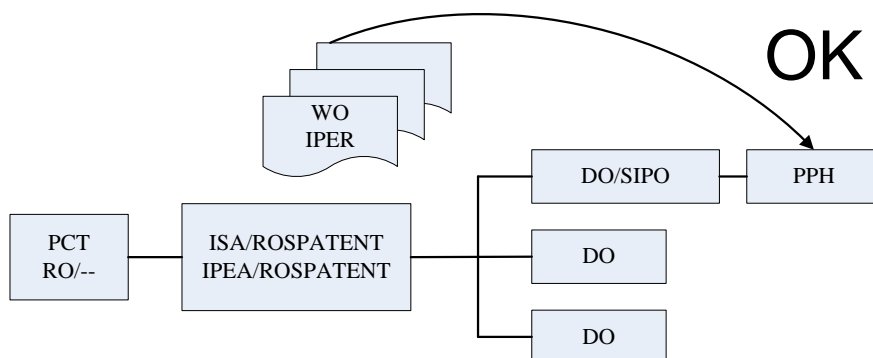
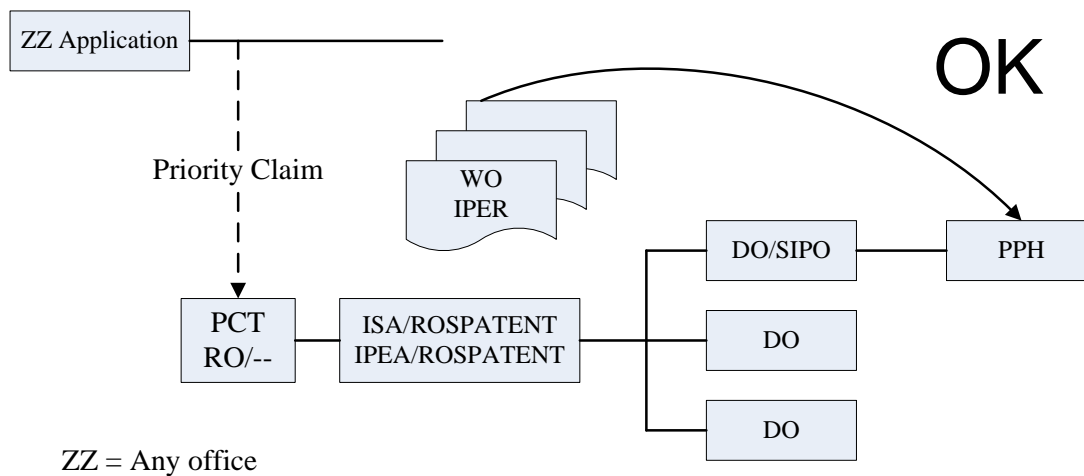


ANNEX II

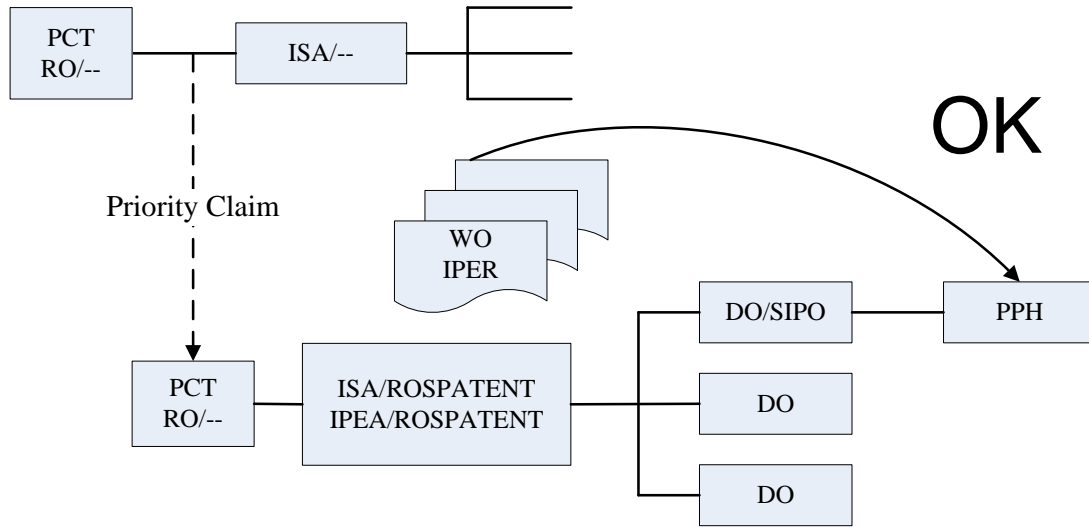
(A) The application is a national phase application of the corresponding international application.



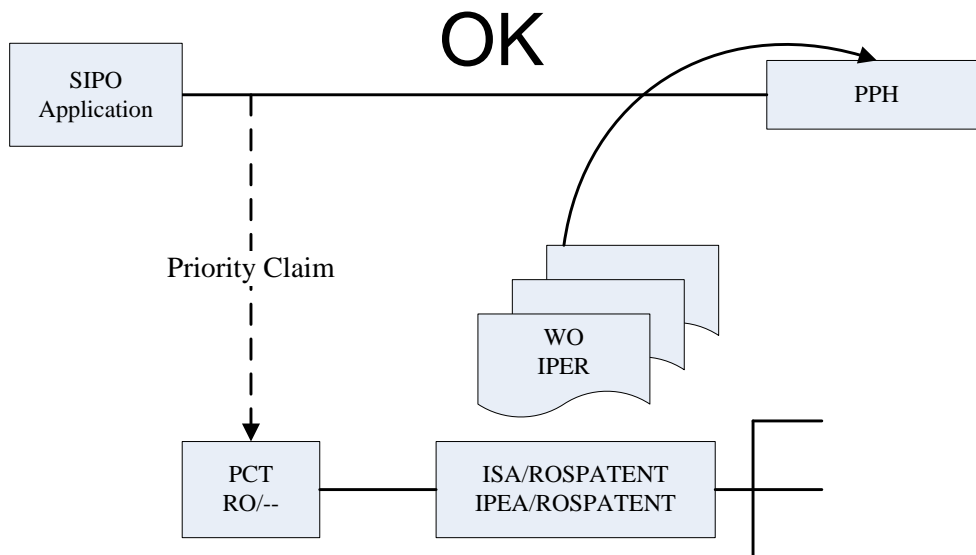
(A') The application is a national phase application of the corresponding international application. (The corresponding international application claims priority from a national application.)



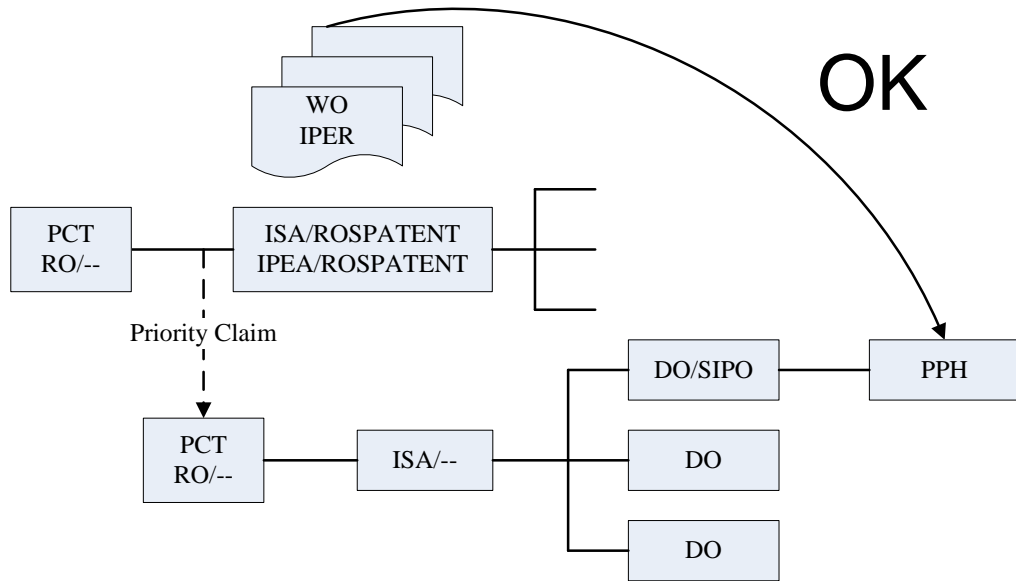
**(A'') The application is a national phase application of the corresponding international application.
 (The corresponding international application claims priority from an international application.)**



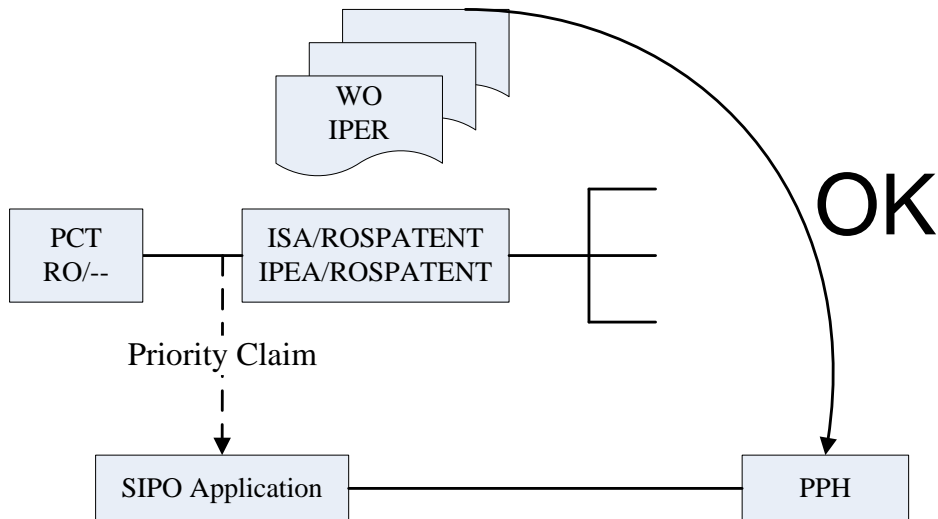
(B) The application is a national application as a basis of the priority claim of the corresponding international application.



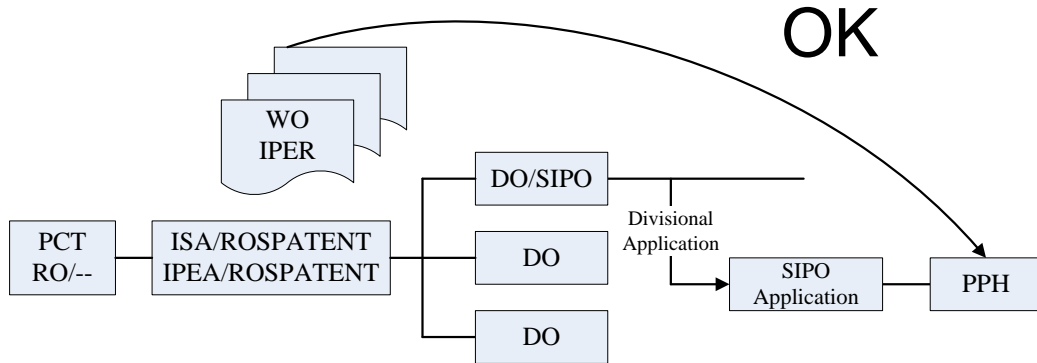
(C) The application is a national phase application of an international application claiming priority from the corresponding international application.



(D) The application is a national application claiming foreign/domestic priority from the corresponding international application.



(E1) The application is a divisional application of an application which satisfies the requirement (A).



(E2) The application is an application claiming domestic priority from an application which satisfies the requirement (B).

