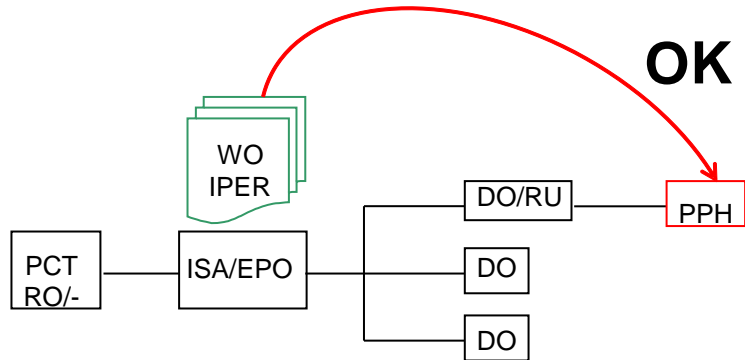
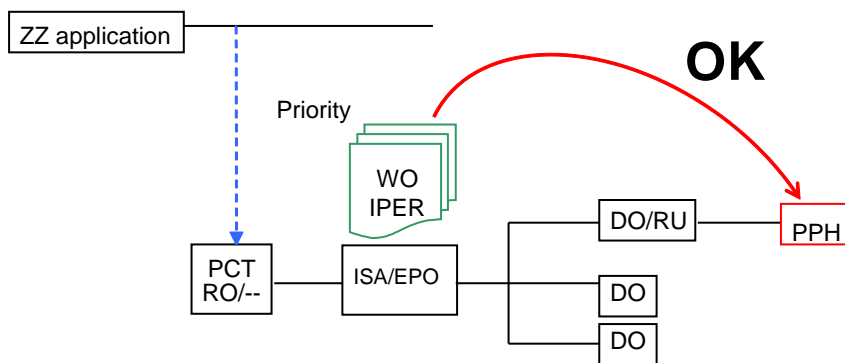


ANNEX II

(A) The application is a national stage entry of the corresponding PCT application.



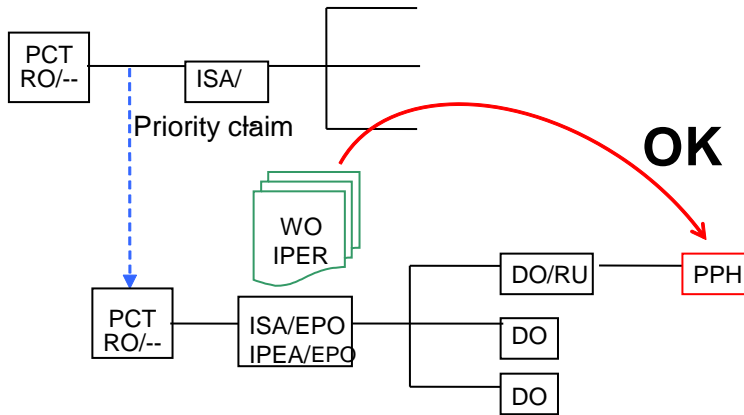
(A') The application is a national stage entry of the corresponding PCT application.
(The corresponding PCT application claims priority to a national application field anywhere.)



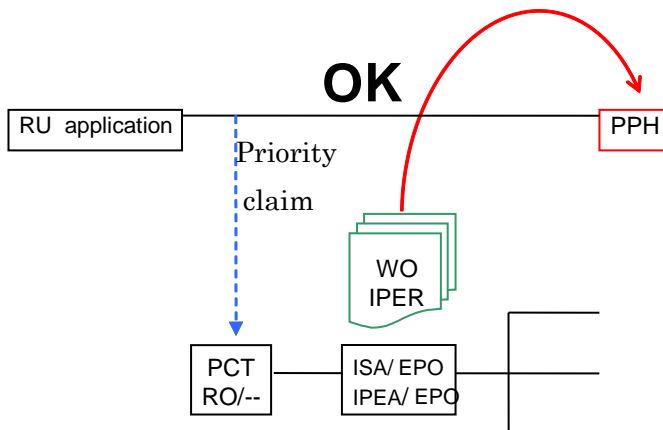
zz-any office

(A'') The application is a national phase application of the corresponding international application.

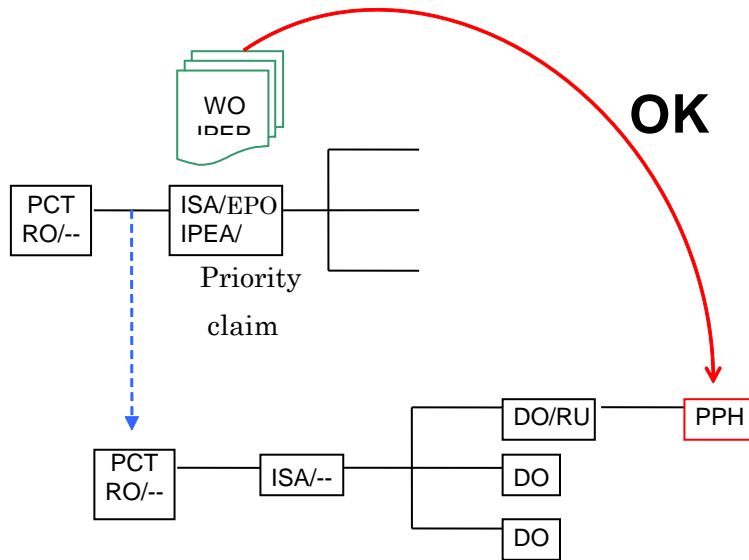
(The corresponding international application claims priority from an international application)



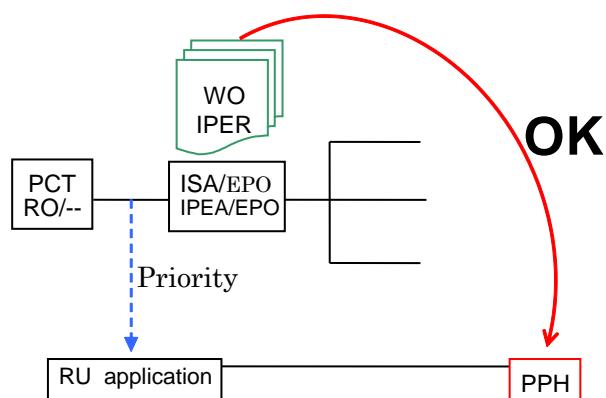
(B) The application is a national application as a basis of the priority claim of the corresponding international application.



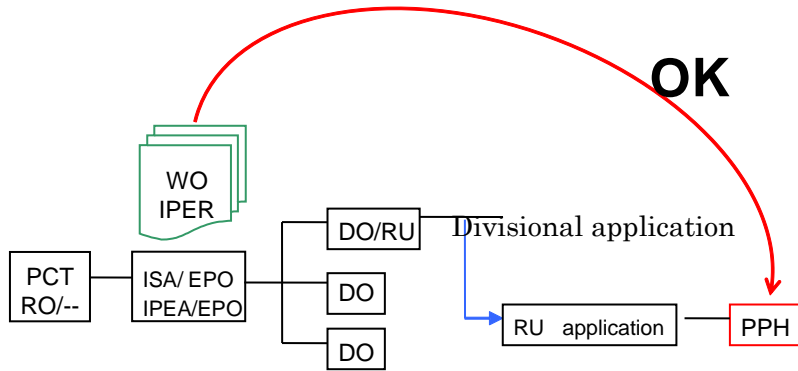
(C) The application is a national phase of an international application claiming priority from the corresponding international application



(D) The application is a national application claiming foreign/domestic priority from the corresponding international application



(E1) The application is a divisional application of an application which satisfies the requirement (A).



(E2) The application is an application claiming domestic priority from an application which satisfies the requirement (B)

